

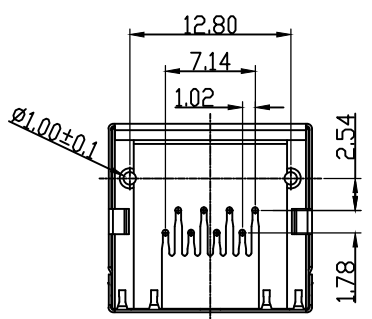
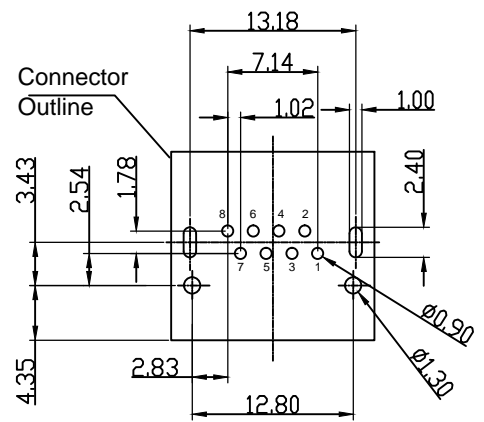
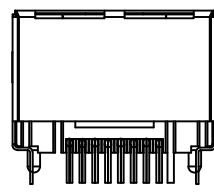
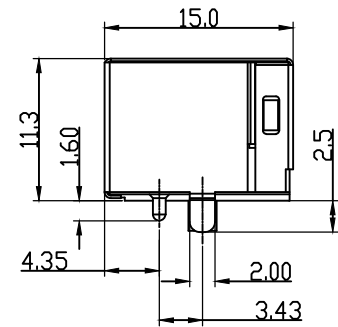
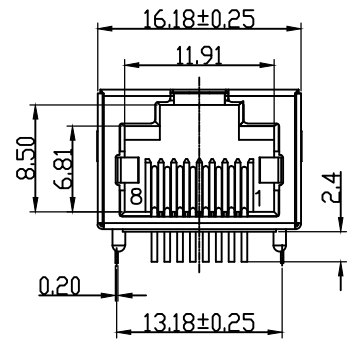
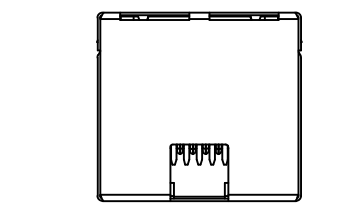
4	3	2	1
CATEGORY	DESCRIPTION	P/N #	
CONNECTOR	3288 金针90度插板(弯脚)	MJ3288-BX11-HR1	

REV.	ECN NO	DESCRIPTION	REVISED	DATE
A01		New Release	XSY	2016.10.12

MJ3288-BX11-HR1

X	Terminal Plating
0	G/F Plating
1	Au 3u" Plating
2	Au 6u" Plating
3	Au 15u" Plating
4	Au 30u" Plating

1.RJ ELECTRICAL CHARACTERISTICS  
 1-1: VOLTAGE: 125V AC RMS  
 1-2: CURRENT RATING: 1.5A  
 1-3: CONTACT RESISTANCE: 40mΩ MAX.  
 1-4: INSULATION RESISTANCE: 500MΩ MIN.  
 1-5: DIELECTRIC WITHSTANG VOLTAGE : 1000V AC  
 1-6: OPERATURE TEMPERATURE: -40°C~80°C



Recommend PCB Layout  
 (Jack Top View)  
 Tolerance: ±0.05mm

c	SHELL	1	BRASS	Ni PALTING	
b	TERMINAL	8	PHOSPHOR BRONZE $\phi$ 0.46mm	Au PALTING	
a	HOUSING	1	LCP UL94V-0	BLACK	
NO.	PART NAME	Q'TY	MATERIAL	PLATING & COLOR	Remark

UNLESS OTHERWISE SPECIFED TOLERANCES		SCALE: 1/1	UNIT: mm	DWG.NO:
		SIZE: A3	PAGE: 1 OF 1	REV: A01
DECIMALS:	ANGLES:	APPROVED BY	CHECKED BY	PREPARED BY
X : ±0.5	X : ±2°	DICK	XSY	XSY
X.X : ±0.3	X.X : ±1°	CUSTOMER COPY		
X.XX : ±0.2				


 東莞市合陵電子有限公司  
 DongGuan Heling Electronic Co.,LTD