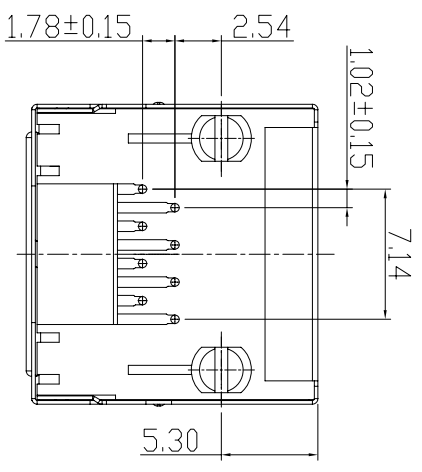
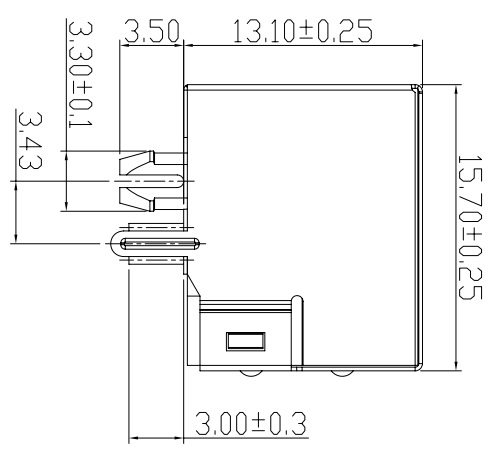
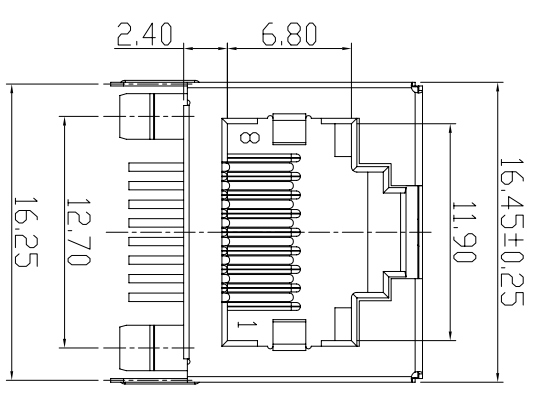


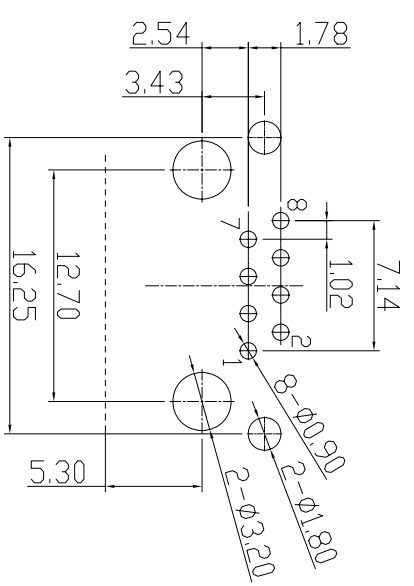
CATEGORY	DESCRIPTION	P/N #
CONNECTOR	RJ45 8P8C 带壳无灯	MJ5688-XX11-GR1

由原料号 MJ5688-BX11-GR1  
变更为 MJ5688-XX11-GR1

REV.	ECN NO	DESCRIPTION	REVISED	DATE
A01	—	New Release	XSY	2015.01.09
A02	—	修正PCB LAYOUT	XSY	2015.07.09
A03	—	新增塑胶材质	XSY	2015.08.24



- SPECIFICATION**
- VOLTAGE RATING: 150 VAC RMS.
  - CURRENT RATING: 1.5 AMP
  - CONTACT RESISTANCE: 40 mΩ MAX
  - INSULATION RESISTANCE: 500MΩ MIN.
  - WITHSTAND VOLTAGE: AC1000V RMS 60S.
  - OPERATING TEMPERATURE: -40°C~+80°C



Recommend PCB Layout  
(Jack Top View)  
Tolerance: ±0.05mm  
Recommend PCB Thickness: 1.6mm

MJ5688-XX11-GR1

X	Housing Color	Housing Material
B	Black	PBT UL94V-0
U	Blue	
Y	Yellow	
1	Black	
2	Blue	
3	Yellow	PA9T UL94V-0

X	Terminal Plating
0	Au 1U" Plating
1	Au 3U" Plating
2	Au 6U" Plating
3	Au 15u" Plating

c	SHELL	1	BRASS T=0.2mm	NI: PALTING	
b	TERMINAL	8	PHOSPHOR BRONZE ∅0.46mm	SEE TABLE 2	
a	HOUSING	1	See Table 1	See Table 1	
NO.	PART NAME	QTY	MATERIAL	PLATING & COLOR	Remark

UNLESS OTHERWISE SPECIFIED TOLERANCES	SCALE: 1/1	UNIT: mm	DWG. NO:
DECIMALS: X : ±0.5	APPROVED BY	PAGE: 1 OF 1	WI-061-060
ANGLES: X X : ±0.3	CHECKED BY	REV: A03	
X.XX : ±0.2	DICK	XSY	
	CUSTOMER COPY		

  
东莞市合陵电子有限公司  
Dongguan Heling Electronic Co., LTD