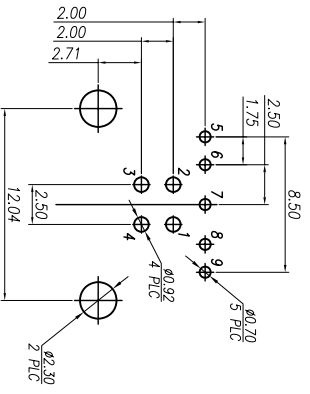
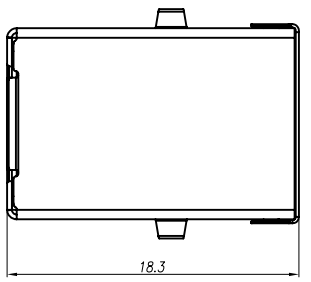


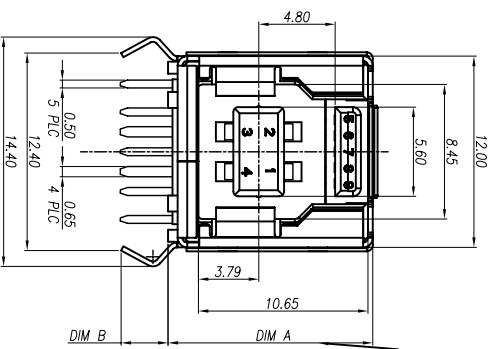
CATEGORY	DESCRIPTION	P/N #	REV.	ECN NO	DESCRIPTION	REVISED	DATE
CONNECTOR	USB 3.0 BF 90度DIP	UB9BF-XXX11-JPRD00X	A01		New Release	KELLY	2013.06.08



RECOMMEND PCB LAYOUT COMPONENT SIDE
 DEFAULT TOLERANCES:±0.05 (PCB T=1.6mm)

- NOTES:
- MATERIAL:
 - HOUSING: HIGH TEMPERATURE THERAL PLASTIC.
 - BACK SHELL:STEEL.
 - SPRING CONTACT: COPPER ALLOY.
 - FLAT CONTACT: COPPER ALLOY
 - SHELL : COPPER ALLOY.

- 2.FINISH:
- CONTACT: (SEE P/N.) [50μm] MIN. NICKEL UNDERPLATING OVER ALL.
 - SHELL: [50μm] MIN.SOLDERABILITY NICKEL UNDERPLATING OVER ALL.
 - BACK SHELL: PLATING WHITOUT.
- 3.PART NUMBER DESCRIPTION :



有三个机种

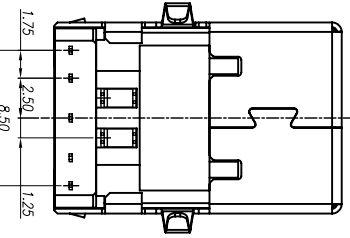
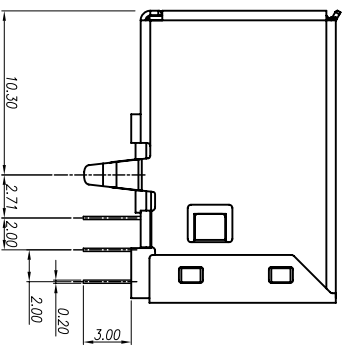


Table 1

X	屏蔽壳材质
B	BRASS
S	Steel

Table 2

X	塑胶颜色区分
B	BLACK
U	BLUE

Table 3

X	Terminal Plating
0	Au 1u" Plating
1	Au 15u" Plating

Table 4

X	DIM A	DIM B
1	12.90	2.90
2	12.60	3.20
3	12.40	3.50

Pin Number	Signal Name	Pin Number	Signal Name
1	VBUS	5	StdB_SSTX-
2	D-	6	StdB_SSTX+
3	D+	7	GND_DRAIN
4	GND	8	StdB_SSRX-
	Shield	9	StdB_SSRX+

UNLESS OTHERWISE SPECIFIED TOLERANCES

DECIMALS: ANGLES:
 X :±0.5 X :±2°
 X.X :±0.38 X.X :±1°
 X.XX :±0.25

东莞市合陵电子有限公司
 Dongguan Heling Electronic Co.,LTD

SCALE: 1/1	UNIT: mm	DWG.NO:
SIZE: A3	PAGE: 1 OF 1	REV: A01
APPROVED BY	CHECKED BY	PREPARED BY
TNOY	BILL	KELLY

CUSTOMER COPY