

CATEGORY	DESCRIPTION	P/N #
CONNECTOR	USB 3.0 A母90度IP带壳四脚鱼叉脚-6-26	UB9NF-SX011-YXR003

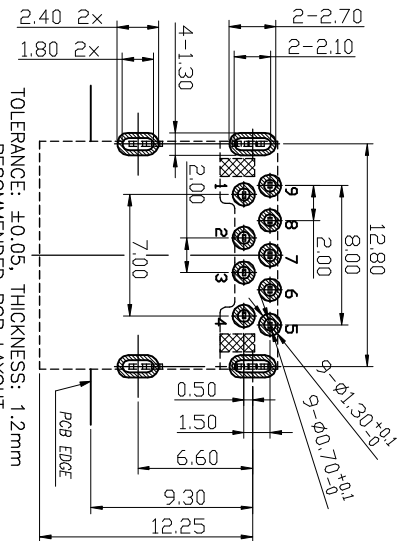
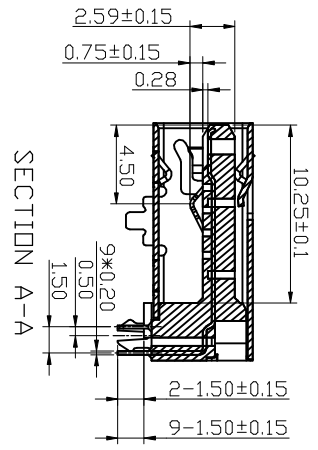
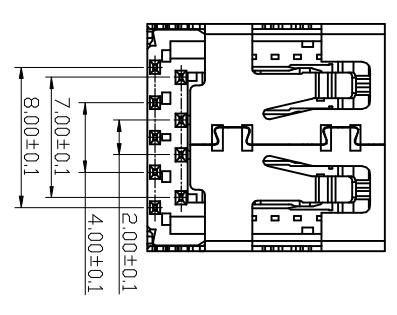
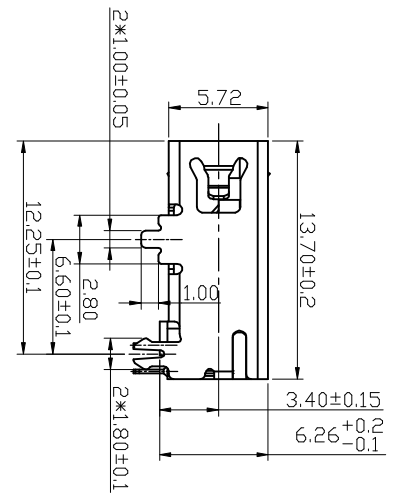
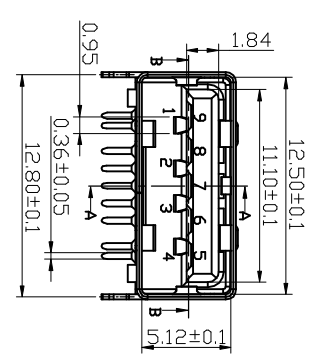
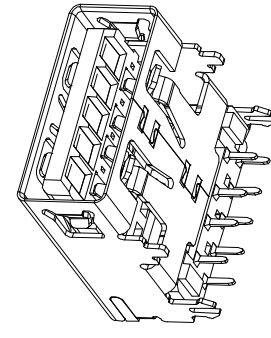
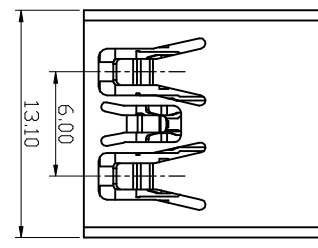
UB9NF-SX011-YXR003

Table 1

X	塑胶颜色区分
B	BLACK
U	BLUE

Table 2

X	塑胶材质
L	LCP UL94V-0
P	PA9T UL94V-0



TOLERANCE: ±0.05, THICKNESS: 1.2mm
RECOMMENDED PCB LAYOUT
(TOP VIEW)
KEEP OUT AREA

Pin #	SIGNAL NAME	DESCRIPTION	MATING SEQUENCE
1	VBUS	POWER	SECOND
2	D-	USB 2.0 DIFFERENTIAL PAIR	THIRD
3	D+	GROUND FOR POWER RETURN	SECOND
4	GND	SPRSPEED RECEIVER DIFFERENTIAL PAIR	LAST
5	Std.SSRX	GROUND FOR SIGNAL RETURN	
6	Std.SSRX	SUPERSEED RECEIVER DIFFERENTIAL PAIR	
7	GND_DRAIN	GROUND FOR SIGNAL RETURN	
8	Std.SSTX	SUPERSEED TRANSMITTER DIFFERENTIAL PAIR	
9	Std.SSTX	CONNECTOR METAL SHELL	FIRST

- NOTE:
- MATERIAL:
 - INSULATOR: HIGH TEMPERATURE PLASTIC UL 94 V-0 or LCP UL94 V-0;
 - CONTACT: COPPER ALLOY (T=0.20mm)
 - SHELL: SUS 201 (T=0.30mm)
 - ELECTRICAL CHARACTERISTICS:
 - CONTACT RESISTANCE: 30mΩ Max
 - CONTACT CURRENT RATING: 1.5A
 - DIELECTRIC WITHSTANDING VOLTAGE: 100 V R.M.S.
 - INSULATION RESISTANCE 100 MEGOHMS Min
 - OPERATING TEMPERATURE: -25° C ~ 75° C
 - MECHANICAL CHARACTERISTICS:
 - MATING FORCE: 35 N Max
 - UNMATED FORCE: 10 N Min
 - PLATING
 - TERMINAL CONTACT: (SEE TAB) GOLD PLATING ALL OVER 50μ" MIN NICKEL AND 80μ" MIN ALL OVER 50μ" MIN NICKEL ON SOLDER AREA
 - SHELL: 80μ" MIN NICKEL ALL OVER

東莞市合陵電子有限公司
Dongguan Heling Electronic Co.,LTD

Connector

SCALE: 1/1 UNIT: mm DWG. NO:

SIZE: A3 PAGE: 1 OF 1 REV: A01

APPROVED BY	CHECKED BY	PREPARED BY
TNOY	BILL	KELLY

CUSTOMER COPY

TOLERANCES UNLESS	X' ± 0.50	X" ± 0.38	.XX ± 0.25	.XXX ± 0.10
	X' ± 0.50	X" ± 0.38	.XX ± 0.25	.XXX ± 0.10

REV.	ECN NO	DESCRIPTION	REVISED	DATE
A01		New Release	KELLY	2015.03.18